

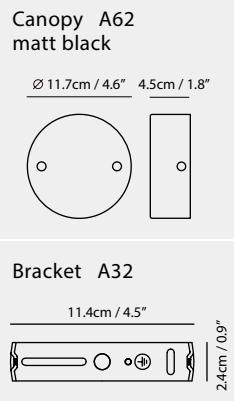
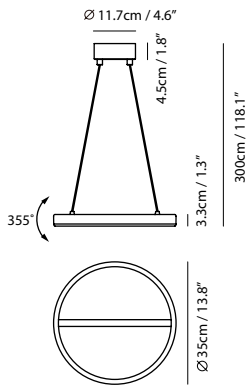


SOL collection is low-key design with elaborate consideration, consists of pendant, table lamp and even bow lamp type. SOL's ring-like lampshade is finely affixed to a metallic luster balance bar, demonstrating the definition of understated luxury. The adjustable ring tilt allows the pendant to function almost like a planet floating on a track of stars. Invisible LED strip makes the light source impeccable, with a gradual dimming capability, rendering it possible for you to re-create your own personal sunrise and sunset.

By Kuo, Keng Dian 郭庚典



matt black + copper



**SOL Pendant S**

**Model**  
SLD-350P

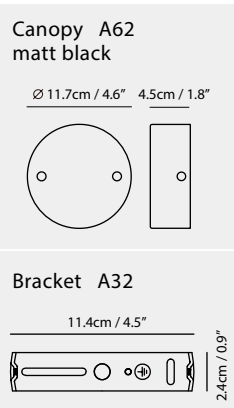
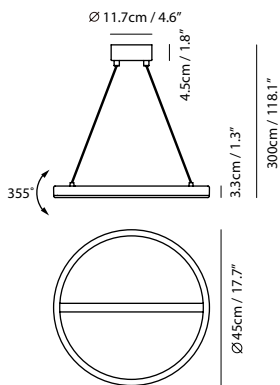
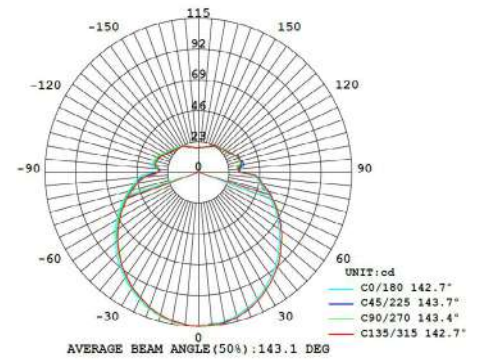
**Material**  
metal, aluminum, PP

**Light Source**  
LED 17W 2700K CRI90 622lm

**Driver**  
Built-in dimmable driver  
(Triac dimming)

**Weight**  
1.2kg / 2.7lb

**Color**  
● matt black + copper



**SOL Pendant L**

**Model**  
SLD-450P

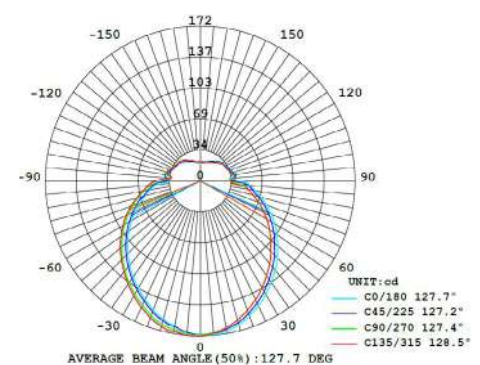
**Material**  
metal, aluminum, PP

**Light Source**  
LED 21W 2700K CRI90 802lm

**Driver**  
Built-in dimmable driver  
(Triac dimming)

**Weight**  
1.5kg / 3.5lb

**Color**  
● matt black + copper

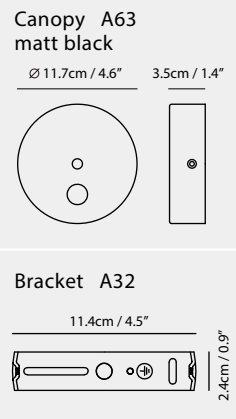
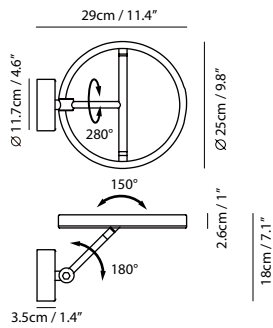


\* Prior to installation, user can decide to have the light source point "up" or "down" base on deisgn requirements.





matt black + copper



**SOL Wall**

**Model**  
SLD-250WRTE

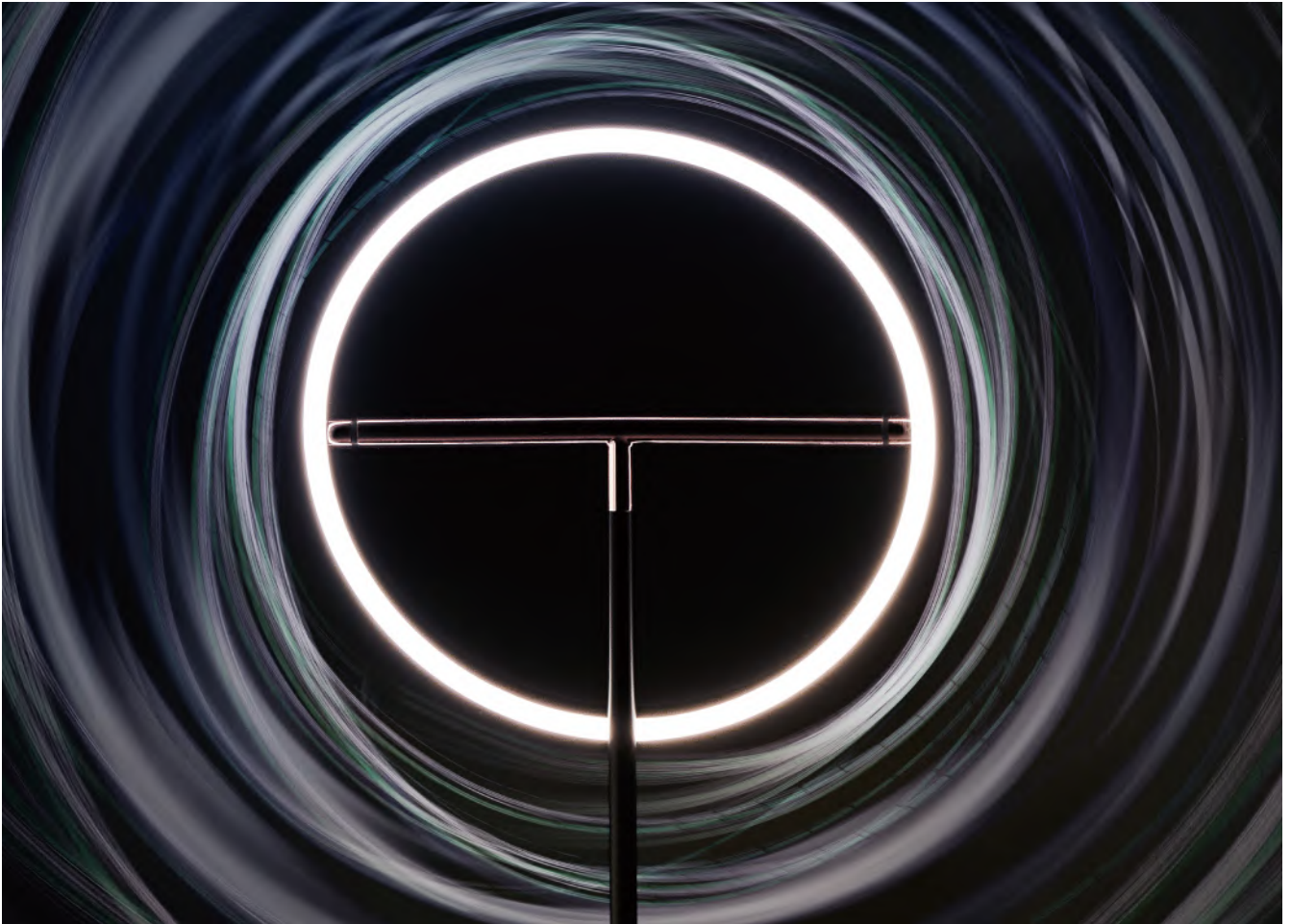
**Material**  
metal, aluminum, PP

**Light Source**  
LED 7W 2700K CRI90 250lm

**Feature**  
Touch dimmer switch

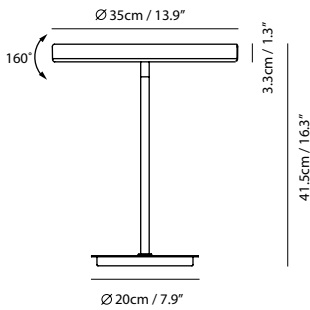
**Weight**  
1kg / 2.2lb

**Color**  
● matt black + copper





matt black + copper



**SOL Table**

**Model**  
SLD-350DTE

**Material**  
metal, aluminum, PP

**Light Source**  
LED 15W 2700K CRI90 550lm

**Feature**  
Touch dimmer switch

**Weight**  
2kg / 4.4lb

**Cord**  
215cm / 84.7"

**Color**  
● matt black + copper

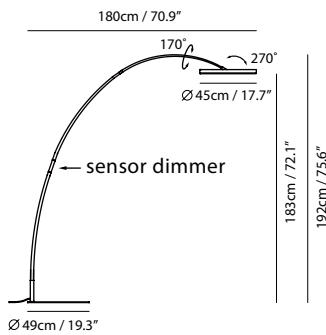


Meet the SOL bow lamp, an extension of the SOL series. Produced in carbon fiber, SOL bow lamp is undoubtedly a product that is sturdy, every inch resilient in structure and ideally completing the original idea from designer.

By Kuo, Keng Dian 郭庚典



matt black + copper



**SOL Floor**

**Model**  
SLD-450FLE

**Material**  
carbon fiber, metal, aluminum, PP

**Light Source**  
LED 21W 2700K CRI90 802lm

**Feature**  
Optical sensor dimmer

**Weight**  
15.3kg / 33.7lb

**Cord**  
235cm / 92.5"

**Color**  
● matt black + copper