



Cutting out all superfluous details, the LISA perfectly depicts the flow of light, thru its highly functional, yet precisely sculptural form.

Available in ceiling, wall, and floor lamp configurations, all LISA models offer a high quality CRI95 light output, without undesirable glare. The Wall and Ceiling version are fully dimmable via Triac dimming, while the Floor version is controlled thru a touchless integrated optic sensor. Each LISA lighting beam is adjustable up to 240 degrees for the ceiling and floor model, and up to 300 degrees for the wall version. Whether it is the all shiny black version, or the shiny black with chrome accents, the LISA will serve as an elegant addition to any environment.

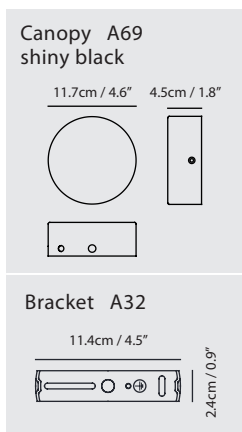
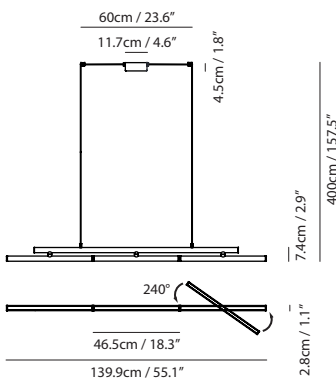
By Wang, Sheng-Wen 王聖文



shiny black



chrome + shiny black



**LISA Pendant PL3**

**Model**  
SLD-465PL3

**Material**  
steel, aluminum, PC diffuser

**Light Source**  
LED 3 x 7W 2700K 706lm CRI98

**Driver**  
Built-in dimmable driver  
(triac dimming)

**Weight**  
2.3kg / 5.1lb

**Color**  
 shiny black  
 chrome + shiny black

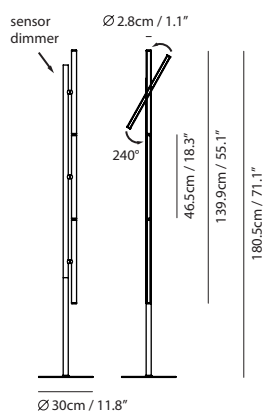




shiny black



chrome + shiny black



**LISA Floor**

**Model**  
SLD-465F3E

**Material**  
steel, aluminum, PC diffuser

**Light Source**  
LED 3 x 7W 2700K 706lm CRI98

**Feature**  
optic sensor dimmer

**Weight**  
5.4kg / 11.9lb

**Cord**  
200cm / 78.7"

**Color**

- shiny black
- chrome + shiny black





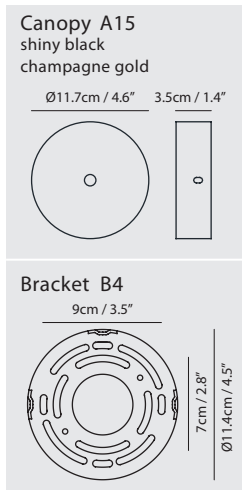
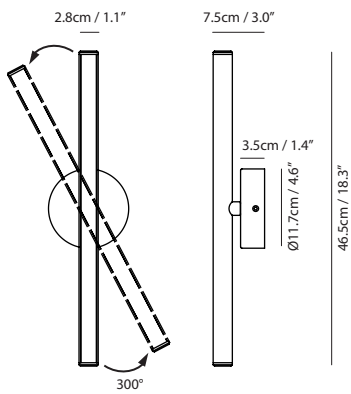
shiny black



chrome + shiny black



champagne gold



**LISA Wall**

**Model**  
SLD-465W

**Material**  
steel, aluminum, PC diffuser

**Light Source**  
LED 1 x 5W 2700K 148.6lm CRI98

**Driver**  
Built-in dimmable driver  
(triac dimming)

**Weight**  
0.6kg / 1.3lb

- Color**
- shiny black
  - chrome + shiny black
  - champagne gold

