



Influenced by modernist architecture, the Konnect is beautifully crafted in quality materials. Offering both functional and versatile illumination configurations, the Konnect delivers various adjustable angles to each of the linear lighting elements, while utilizing high quality integrated LED design that offers Color Rendering (CRI 98).

It conveniently comes in two linear setups as well as a vertical setup, each with two color options. The Konnect is equipped with full dimmable capabilities (0-10V), thoughtfully designed to suit your everyday lifestyle. In the PV4 pendant model, an exclusive quick-release jack design swiftly allows for the direction of the light to be positioned upward or downward.

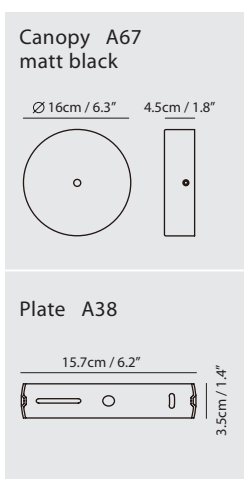
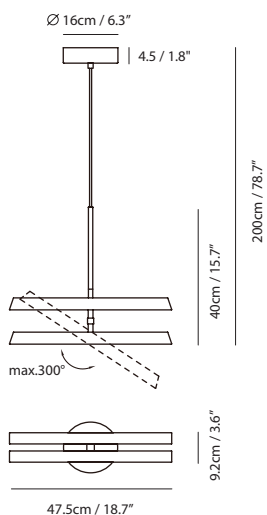
By Chang, Huan Rou 張幻柔



champagne gold



matt black



Konnect Pendant PV4



Model
SLD-3983PV4

Material
steel, PC

Light Source
LED 4 x 5.5W 3000K CRI98 949lm

Dimming
0-10V

Weight
1.8kg / 4.0lb

- Color**
-  champagne gold + matt black canopy
 -  matt black + matt black canopy



*Quick-Release Jack allow the light direction to be oriented upwards or downwards at time of installation. Release the bottom half of the pendant to change light orientation.

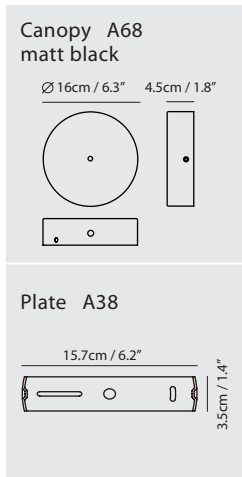
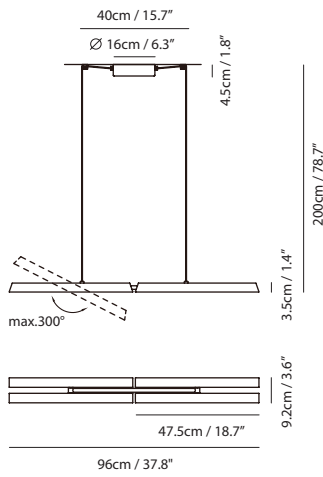




champagne gold



matt black



Konnect Pendant PL4



Model
SLD-3983PL4

Material
steel, PC

Light Source
LED 4 x 5.5W 3000K CRI98 1052lm

Dimming
0-10V

Weight
1.8kg / 4.0lb

- Color**
-  champagne gold + matt black canopy
 -  matt black + matt black canopy

KONNECT

SEEDDESIGN

www.SeedDesignUSA.com

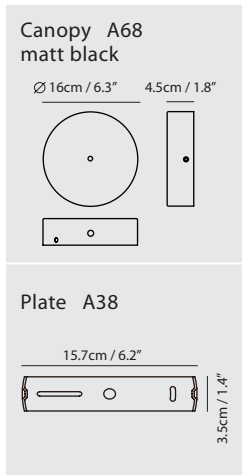
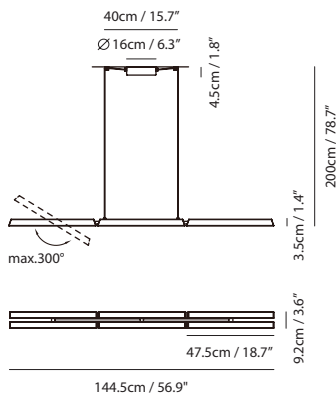




champagne gold



matt black



Konnect Pendant PL6



Model
SLD-3983PL6

Material
steel, PC

Light Source
LED 6 x 5.5W 3000K CRI98 1529lm

Dimming
0-10V

Weight
2.5kg / 5.5lb

- Color**
-  champagne gold + matt black canopy
 -  matt black + matt black canopy